



1900 Wellworth Ave. • Jackson, MI 49203
517-787-2100

Submittal Data

A-VMH30SD-1

Project Name:	
Location:	
Engineer:	
Submitted to:	
Submitted by:	
Reference:	

Approval:	
Date:	
Construction:	
Unit #:	
Drawing #:	

Model VMH30SD-1
Indoor B-VMH30SD-1
Outdoor A-VMH30SD-1



Outdoor fan motor

Model ZKN-120-8-2
Brand Welling
Input W 120 (output)

PERFORMANCE DATA

Power supply Ph-V-Hz 208-230V~60Hz, 1Ph

Cooling

Capacity Btu/h 30000
Input W 2605
Rated current A 11.5
EER Btu/w 11.5
SEER Btu/w 19.8

Heating

Capacity Btu/h 30000
Input W 3410
Rated current A 15
COP W/W 2.58
HSPF4 9.4
HSPF5 8
MINIMUM CIRCUIT AMPACITY A 20
MAX.FUSE A 30

Compressor Electrical

Model ATF235D22UMT
Type ROTARY
Brand GMCC
Capacity Btu/h 24345
Input W 1970
Connection wiring 14/4 STRANDED

Thermostat type

Remote control

Ambient temperature

Outdoor (heating/cooling) Deg. F 5~122/5~86

Air flow & Noise level

Outdoor air flow CFM 2130
Outdoor noise level dB(A) 59

Outdoor unit

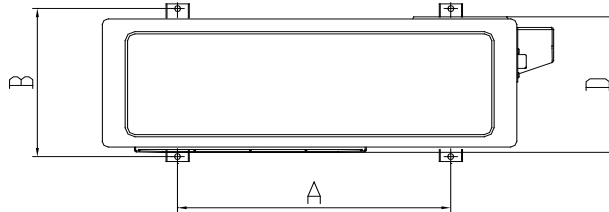
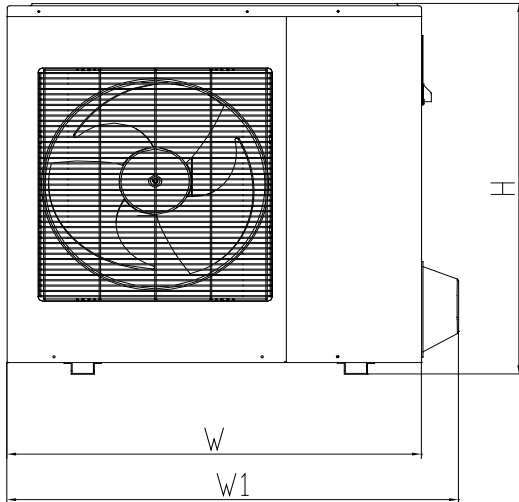
Dimension(W*D*H) inch 37.24x16.54x31.89
Packing (W*D*H) inch 42.91x19.69x34.06
Net/Gross weight lbs. 136.5/149.5

SYSTEM DATA

Design pressure PSIG 550/340
Refrigerant type R410A
Refrigerant precharge ft 25
Additional charge per ft. oz 0.322
Liquid side/ Gas side in 3/8-5/8
Max. length ft 164
Max. height difference ft 82

Submittal Data

A-VMH30SD-1 Outdoor Unit



A	26.5"
B	13.78"
D	16.54"
H	31.89"
W	37.24"
W1	16.54"

Performance Data

Model	Cooling		Outdoor conditions (DB)									
	Indoor Conditions DB	WB	5F (-15C)	17F (-8C)	47F (8C)	77F (25C)	86F (30C)	95F (35C)	104F (40C)	113F (45C)	122F (50C)	
30 (208-230V) VMH30SD-1	69.8F (21C)	59F (15C)	TC	28.90	28.80	27.56	26.54	31.04	30.03	23.54	18.22	15.04
			SC	19.74	19.64	18.89	18.84	22.04	21.32	16.71	12.94	10.68
			Input	1.11	1.16	0.833	1.39	1.90	2.25	2.20	2.10	1.87
	75.2F (24C)	62.6F (17C)	TC	31.10	31.16	27.95	26.50	31.00	29.99	23.50	18.18	15.00
			SC	21.16	21.15	19.52	18.82	22.01	21.29	16.69	12.91	10.65
			Input	1.21	1.21	0.941	1.42	1.93	2.28	2.23	2.13	1.90
	80.6F (27C)	66.2F (19C)	TC	32.77	32.49	28.53	27.56	27.54	25.56	23.52	18.20	15.02
			SC	22.01	21.83	18.56	18.30	18.96	19.52	16.23	12.56	10.36
			Input	1.27	1.26	0.92	1.45	1.96	2.31	2.26	2.16	1.93
	89.6F (32C)	73.4F (23C)	TC	35.63	33.77	31.52	30.86	30.95	29.94	23.45	18.13	14.95
			SC	22.09	21.28	21.56	21.95	21.97	21.26	16.65	12.87	10.61
			Input	1.40	1.25	0.96	1.52	2.03	2.38	2.33	2.23	2.00
Model	Heating		Outdoor conditions (DB)									
	Indoor Conditions DB		0F (-17C)	5F (-15C)	17F (-8C)	19.4F (-7C)	24.8F (-4C)	32F (0C)	39.2F (4C)	44.6F (7C)	53.6F (12C)	
30 (208-230V) VMH30SD-1	59F (15C)	TC	17.56	18.93	23.16	23.22	23.42	23.56	25.85	27.79	28.60	
		Input	2.18	2.17	2.24	2.23	2.20	2.21	2.24	2.25	2.00	
		COP	2.36	2.56	3.03	3.05	3.12	3.12	3.38	3.62	4.19	
	64.4F (18C)	TC	17.02	17.45	20.45	22.52	23.40	23.54	24.52	27.61	27.62	
		Input	2.14	2.16	2.21	2.23	2.32	2.35	2.35	2.45	2.24	
		COP	2.33	2.37	2.71	2.96	2.96	2.94	3.06	3.30	3.61	
	69F (20.5C)	TC	15.88	16.38	19.61	21.85	22.98	24.63	26.75	30.08	31.02	
		Input	2.16	2.18	2.20	2.25	2.42	2.58	2.64	2.74	2.39	
		COP	2.15	2.20	2.61	2.85	2.78	2.80	2.97	3.22	3.80	
	71.6F (22C)	TC	15.78	16.24	19.54	21.67	22.54	23.41	24.21	30.06	31.05	
		Input	2.20	2.17	2.24	2.23	2.20	2.21	2.24	2.25	2.00	
		COP	2.10	2.19	2.56	2.85	3.00	3.10	3.17	3.92	4.55	

LEGEND

DB --- Dry Bulb
 WB --- Wet Bulb
 TC --- Total Net Capacity (1000 Btu/hour)
 Input --- Total Power (kW)
 COP --- W/W

Accessories

93640 Mini-Split Bracket 260lb. Limit
 93641 Mini-Split Bracket 330lb. Limit
 93642 Mini-Split Bracket 400lb. Limit
 93540 Mini-Split Pad 18" x 38" x 3"